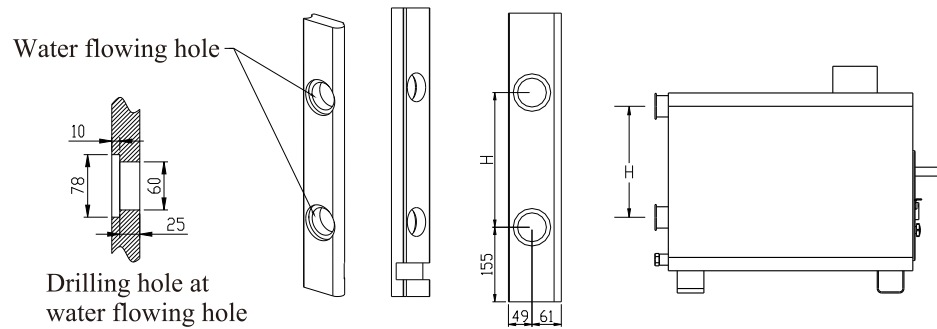


## Drilling Holes on Stove



## Operation

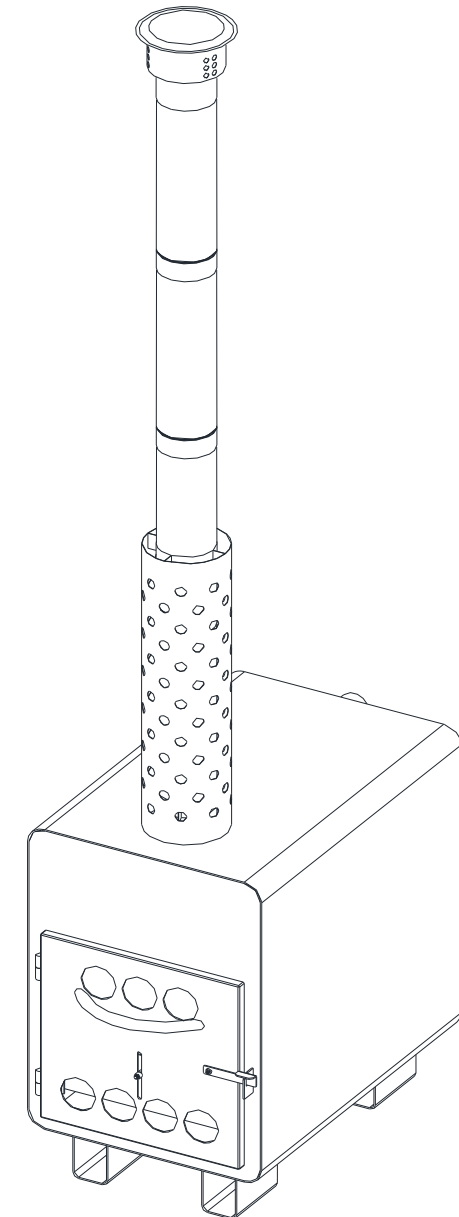
### Fuel: wood

1. Keep stove free of excess ash for better performance.
2. Add fuel into the stove body with amount less than 1/2 of the burning bin, otherwise the burning won't be thorough.
3. Open door only for refueling.
4. To control the air intake, loose the air intake control(black plastic screw), shift it up or down to relocate the back plate to change the size of the air intake hole, twist tight the black screw when the air intake hole size reaches your desired level.
5. In normal use, the stove needs to be refueled every 30 minutes.
6. When the water reaches the desired temperature, stop adding fuel.
7. If the water is overheated, please add cold water until the desired temperature.
8. Extinguish burning fuel after each use.

## Caution

1. Before using the stove, please make sure the water inlets and outlets connecting of stove and tub unblocked, keep water flowing well.
2. Before burning the stove, first fill enough water into the tub, and make sure water level of tub is above the upper water outlet and enough water flow into the stove. Otherwise, stove will be damaged because of dry burning.
3. When using the stove, the temperature of chimney and chimney protector will be higher than 150 centigrade, please DO NOT touch them directly.
4. When in use, the outer temperature of the stove could be over 70 centigrade, please DO NOT touch it.
5. After installation, please DO NOT move the stove and tub, otherwise it may let leaking in connecting joints.
6. When in use, closely monitor the temperature to avoid overheating.  
A tub thermometer should be used at all times to ensure safe and comfortable temperature.
7. When in use, please be aware of fire safety.
8. In winter when not use the stove, open the water outlet of the stove to empty the water to prevent the stove body bursting because of frozen water.
9. Children are forbidden to use this product unsupervised.
10. Regular maintenance: when the stove is at room temperature, remove the smoke vent, and use a hard object to clear out the accumulated creosote at the smoke outlet.

## External Wood Fired Stove Installation Manual



## Foreword

Thank you for choosing our external wood fired stove.

This installation guide should bring an overall understanding for this product and facilitate your installation and use.

Before installation and using, please read thoroughly this manual.

We believe it is helpful for your effective use of this product.

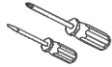
Should you have any problem in the process of using this product, please contact your dealer.

## Preparation before installation

- Make sure the stove body and tub are at the same level, the water level of tub should be not higher than 2m from the bottom of the stove.
- The stove must be placed on a level surface for stability.

## Tools and objects needed

Cross screwdriver



Electric bench drill electric hand drill



Extra large wrench



Measure gauge



φ60 and φ78 Tapper

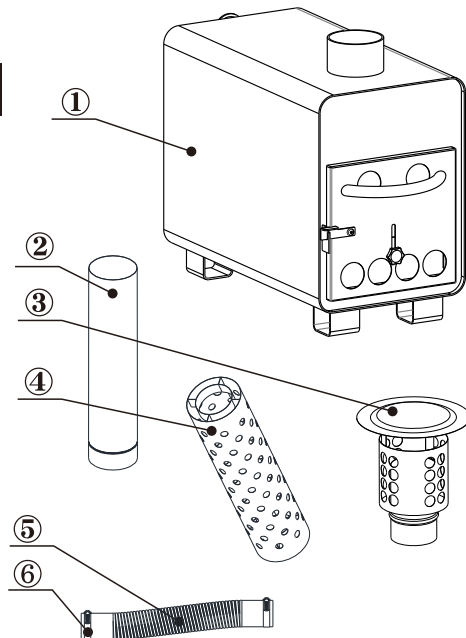


Silicon and PVC glue

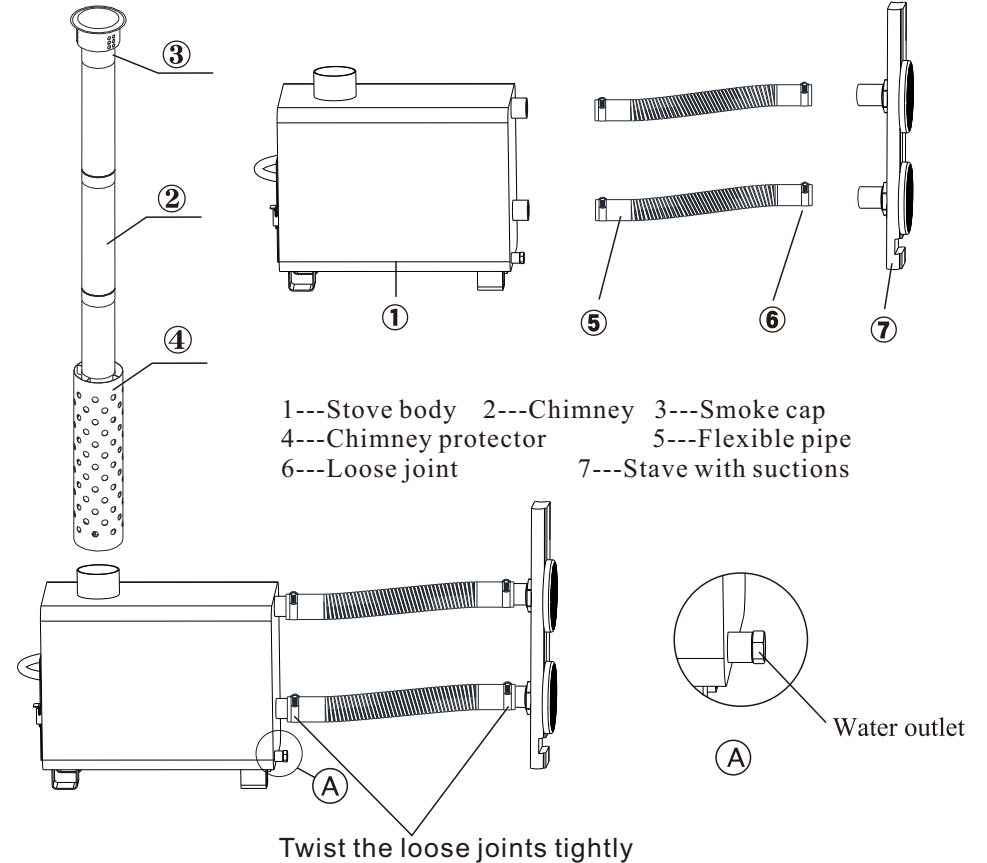


## Accessories list in external stove

| No. | Name              | Quantity |
|-----|-------------------|----------|
| 1   | Stove body        | 1        |
| 2   | Chimney           | 4        |
| 3   | Smoke cap         | 1        |
| 4   | Chimney protector | 1        |
| 5   | Flexible pipe     | 2        |
| 6   | Loose joint       | 4        |



## Installation guide:



## Installation the stave with suction⑦:

1. Dismantle the whole suction into 3 parts.
2. Apply PVC glue at the surface of K(1.5'X85mm PVC hard tube) and Insert it into J, then insert H(Dia.42x85x1mm stainless steel tube) into K.
3. Apply silicon at the position J, and then insert it into the backwater hole at the stove.
4. Apply silicon at the position I, and then lock up the clamp bolt.
5. When connecting the pipes to the tub and stove, some teflon tape should be added to the thread to prevent leaking.

## Install Suction

