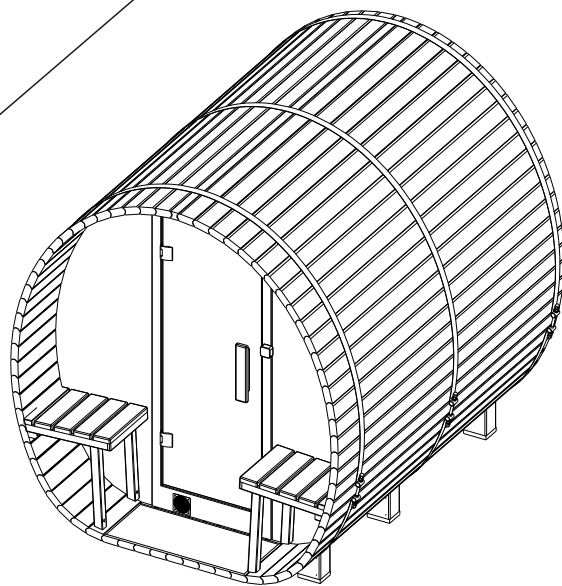
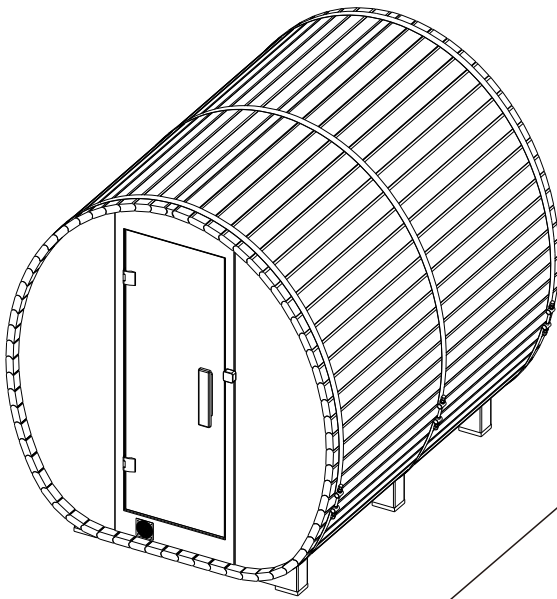


Barrel Outdoor Sauna

Series without canopy



Series with canopy

Table of Contents

- Instructions before use & Operation instructions1
- Instructions before assembly2
- Wooden components of sauna3
- 1.Base &stave assembly4
- 2.Stave & Glass wall assembly:5~6
- 3.Steel strap installation:7
- 4.Bench Seat assembly8
- 5.Heater & heater barrier assembly9
- 6. Lamp & thermal baffle board assembly10
- Bitumen roof assembly(Optional)11~13
- Recommendations and suggestions for sauna14

Instructions before use

1. Do not use sauna if you suffer from high blood pressure or heart disease.
2. Do not use sauna if you are suffering from a cold.
3. Do not use sauna if overworked or excessively tired.
4. Do not use sauna on an empty stomach.
5. Do not use sauna for 30 minutes after eating.
6. Do not use sauna after strenuous exercise.
7. Do not sauna after drinking or under the influence of alcohol.
8. Do not wear jewellery in the sauna, necklaces, watches ect.
9. Do not wear makeup in the sauna, it can block pores and prevent sweat evaporation.
10. Sauna is not suitable for the elderly.
11. Do not use Sauna for too long, excessive sweating can lead to exhaustion. Take a break every 5-10 minutes.
12. Do not go from sauna to cold air, may induced stroke.
13. Stay hydrated, don't wait until thirsty to drink.
14. Do not sleep in Sauna.

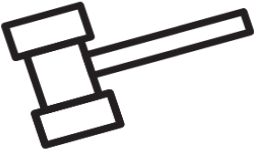






Operation instructions

1. Turn on sauna heater, setting desired temperature, normally 60 °C -80 °C (in the area between bench surface and your head). Start with low temperature and increase it according to endurance of your body when you are in a sauna for the first time.
2. Before using the sauna, take off loose clothes, glasses, jewellery, incl. cell phones and other belongings, and then take a simple shower or spa.
3. The average safe sauna period for each time is around 5-15 minutes.
4. After a sauna, you can take a bath in a swimming pool or take a shower to cool your body for 10-20 minutes.
5. After re-entering the sauna, you may find there are drops formed by vapor on sauna stones. If water drops to the ground, it means you are overusing water in the sauna.
6. Children must be accompanied by parents / adults whenever using the sauna.

Instructions before assembly

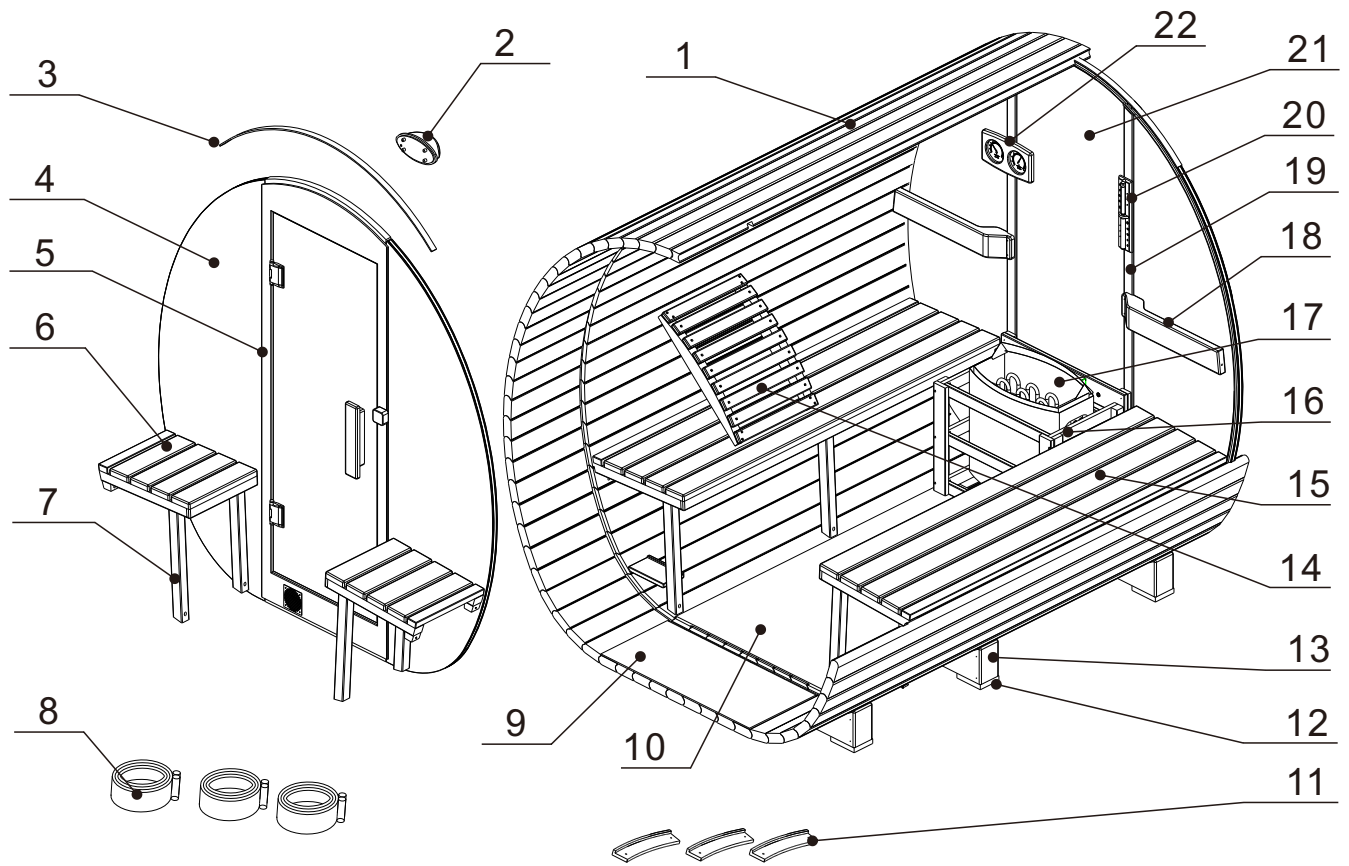
1. At least three people are required to assemble the sauna.
2. Ensure the sauna is installed on a level surface.
3. All screw heads must be completely inserted into wood to avoid scratching during use. If you want to assemble accessories provided by other companies to the sauna, try to avoid metal accessories due to risk of burning.
4. Please use qualified electricians to install the electrical elements in sauna.

Tools :

Rubber Mallet	Silicone Sealant Gu	Power Drill	Tape Measure
			
Adjustable Wrench	Spirit Level	Pencil	
			






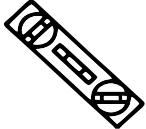
Accessories packaging List						
No.	Component	Unit	Model/ numbers 600 Series/601 Series			
			66C	66	68C	68
1	Sauna Heater	Pcs	4.5kw	6.0kw		
2	Bucket 4L	Pcs	1	1	1	1
3	Sauna Stones	Kg	20	20	20	20
4	Thermometer & Hygrometer	Pcs	1	1	1	1
5	Light	Pcs	1	1	1	1
6	Sand timer	Pcs	1	1	1	1
7	silicone sealant	Pcs	3	3	3	3
8	Steel strap	Pcs	3	3	4	4
9	Trimming boards	Pcs	18	18	18	18

Wooden components of sauna



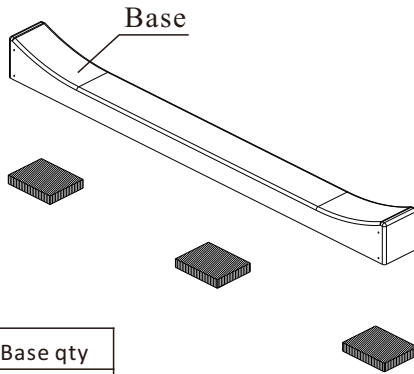
No.	ITEM	No.	ITEM
1	Timber Staves	12	Base Pads
2	Light	13	Base Cradles
3	Adhesive tape	14	Back rest
4	Side glass wall	15	Internal bench
5	Door Frame	16	Heater barrier
6	External bench (for Sauna Series with Canopy)	17	Sauna Heater
7	Bench legs	18	Thermal baffle board
8	Steel Straps	19	Timber vertical post
9	Outside Carpet (for Sauna Series with Canopy)	20	Sand timer
10	Inside Carpet	21	Back central glass wall
11	Trimming boards(Optional)	22	Thermometer & Hygrometer

Tools Needed

Rubber Mallet	Silicone Sealant Gun	Power Drill	Pencil	Tape Measure	Spirit Level
					

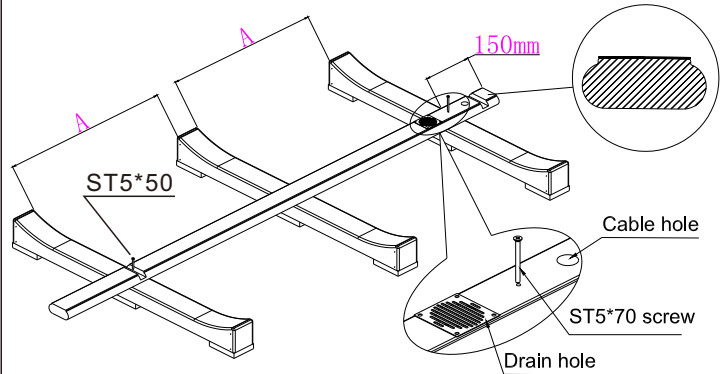
1. Base & stave assembly:

- ① Put the pads under the base cradles and space them evenly.

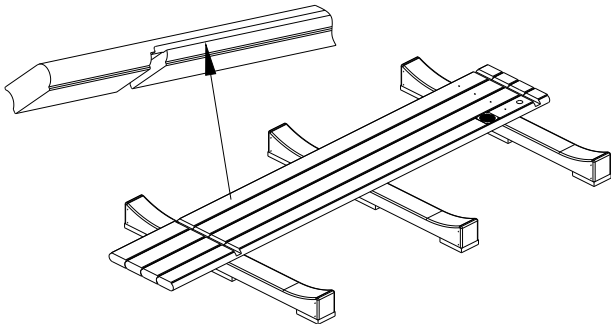


Sauna length	Base qty
1.8m	2pcs
2.35m	3pcs

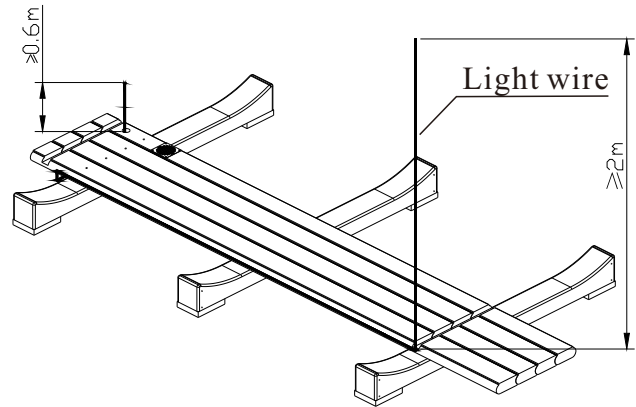
- ② Align the centre of front and back base cradles to the screw holes of bottom stave, the middle base cradle is necessary only provided 2.35m length sauna



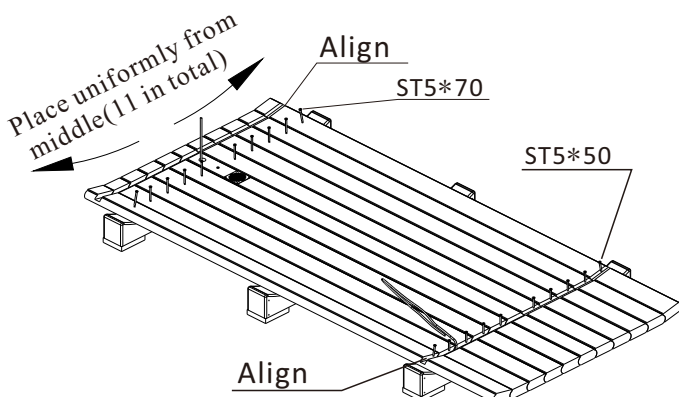
- ③ The left third stave has long groove routed into it for the electrical cable.



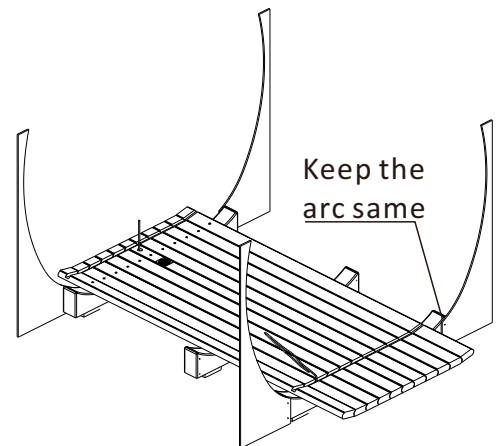
- ④ Insert light wire into the groove, and leave at least 2m protruding from the front end of stave and 0.6m from the back end.



- ⑤ Align the staves with corresponding holes (install 5pcs from the middle to both sides) and fix on the base with ST5*70 & ST5*50 screws.



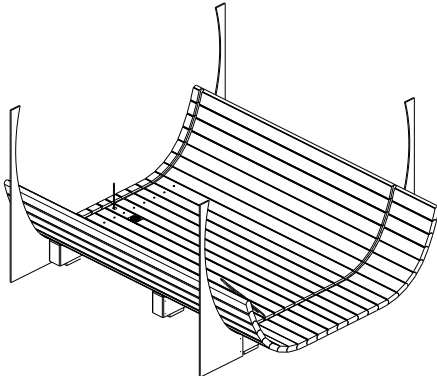
- ⑥ Assemble the 4pcs of support boards to bases with ST4*30 screws which forms a template.



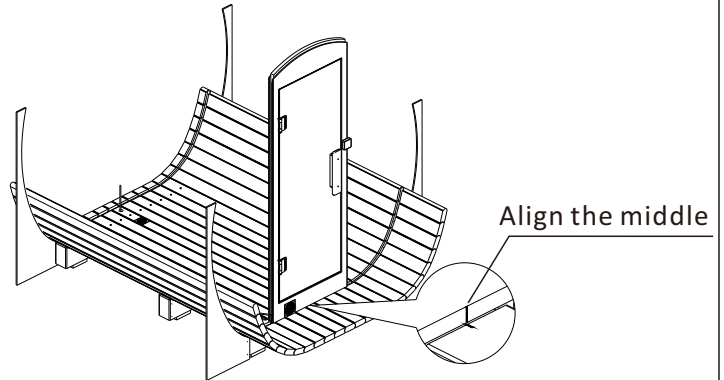
2.Stave & Glass wall assembly:

Note: Each glass wall panel needs a person to support it to ensure it does not fall until assembly is finished.

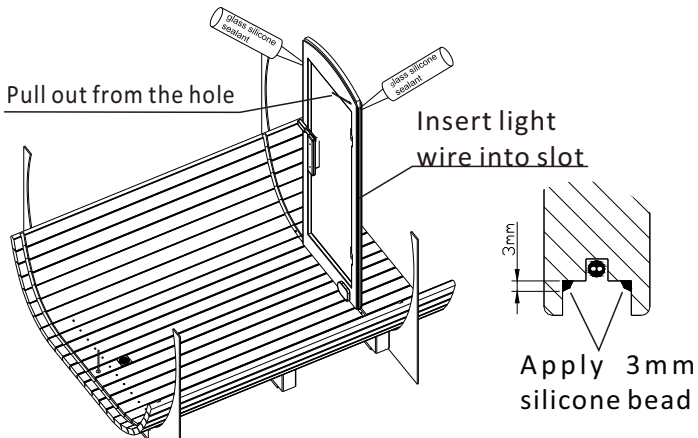
- ① Install more staves along the support templates(8-10pcs in each side)



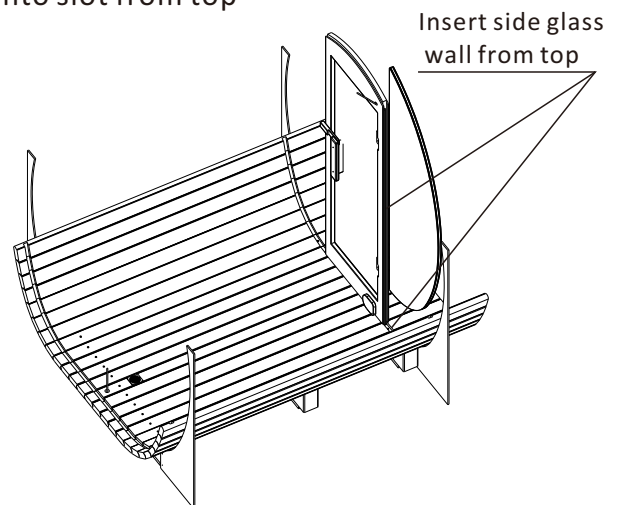
- ② Install the glass door into front slot in the staves, one person has to hold the glass door to avoid it falling down.



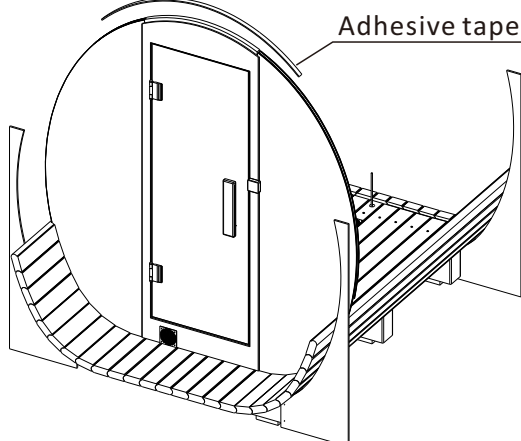
- ③ Insert light wire into the groove of door, and pull out about 20cm length, then apply silicone into the groove of door.



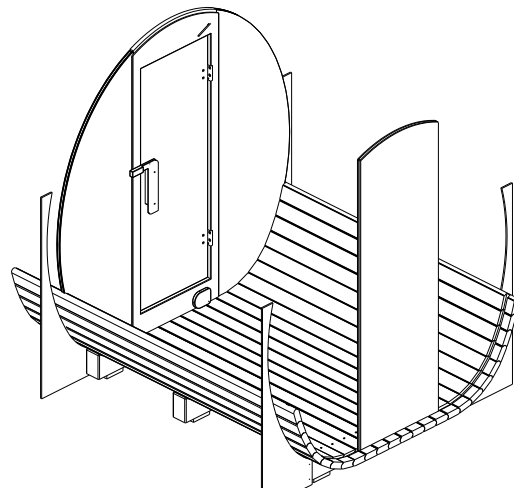
- ④ Insert glass wall panel beside door into slot from top



- ⑤ Insert other glass wall and press three glass parts together, stick adhesive tape over the top of the panels.

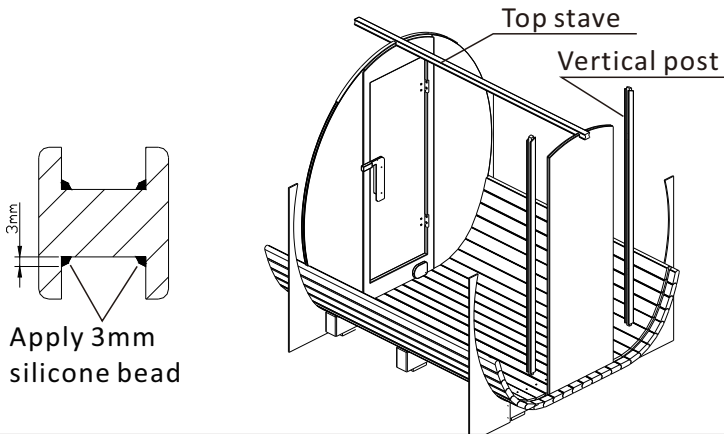


- ⑥ Insert central glass wall panels into rear slot in the staves.

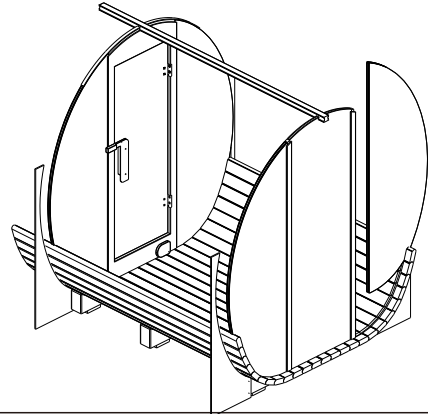


2.Stave & glass wall assembly:

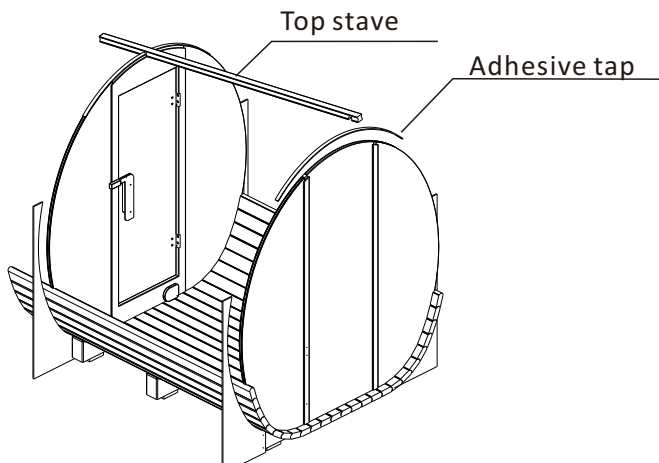
- 7 Place a stave on the top; then apply silicone into both grooves of vertical posts, and place vertical posts on both sides of glass wall panel.



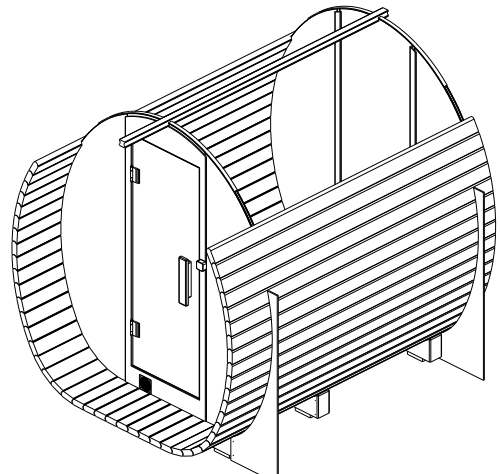
- 8 Insert the other two glass wall panels into place and push them together to get a snug fit into the timber posts.



- 9 stick adhesive tape over the top of the rear panels.



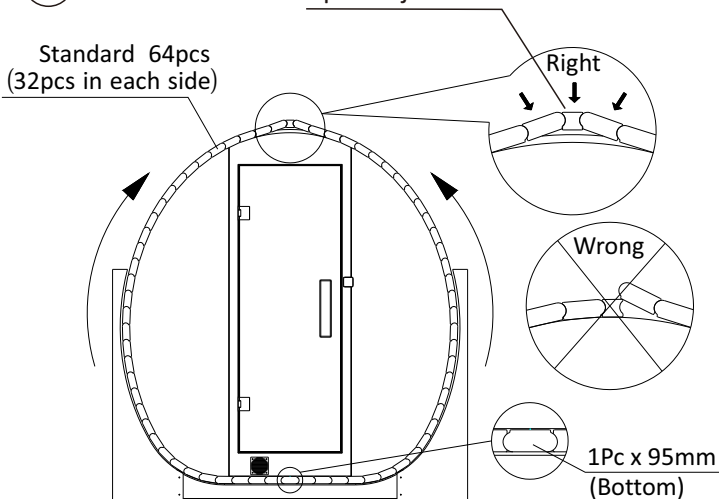
- 10 Install the remaining staves.



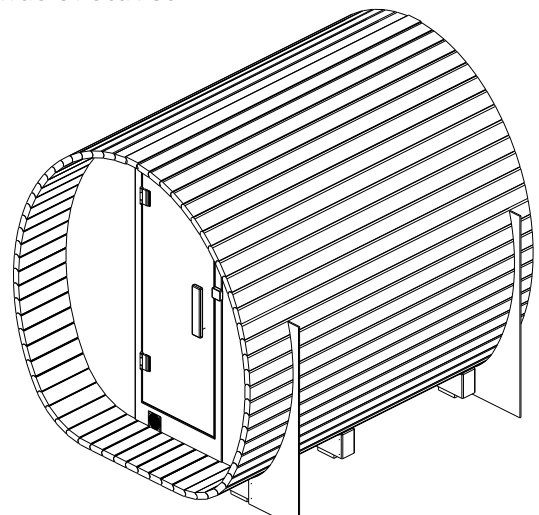
- 11

Standard 64pcs
(32pcs in each side)

1pc Top
2pcs Adjustable

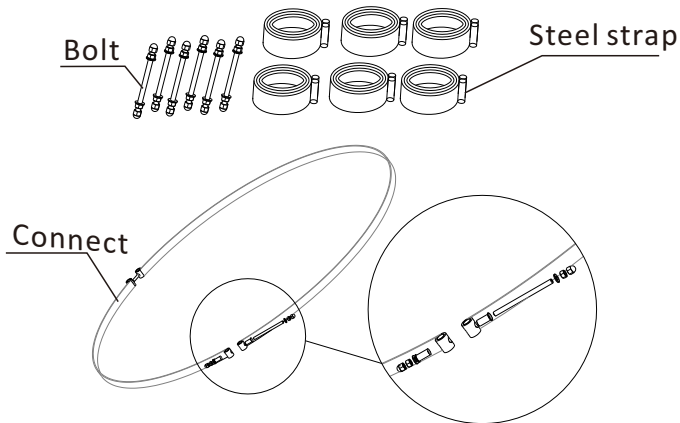


- 12 Keep both glass walls vertical, and align all ends of staves

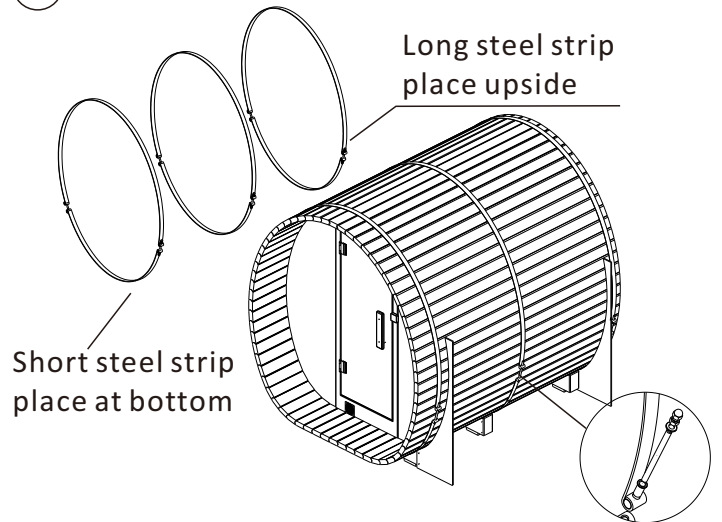


3. Steel strap installation:

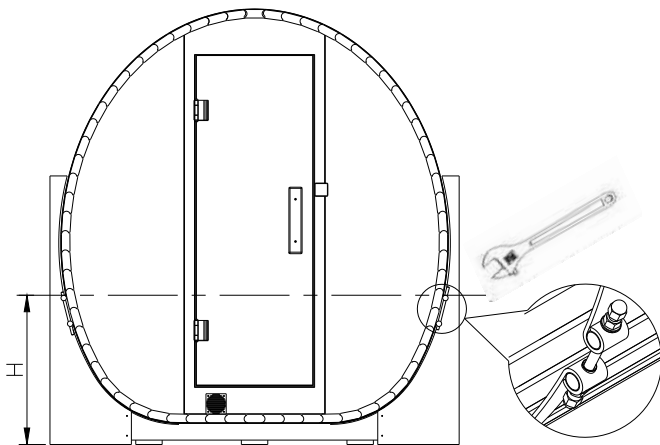
- ⑬ The stainless-steel straps / strips are in two pieces.



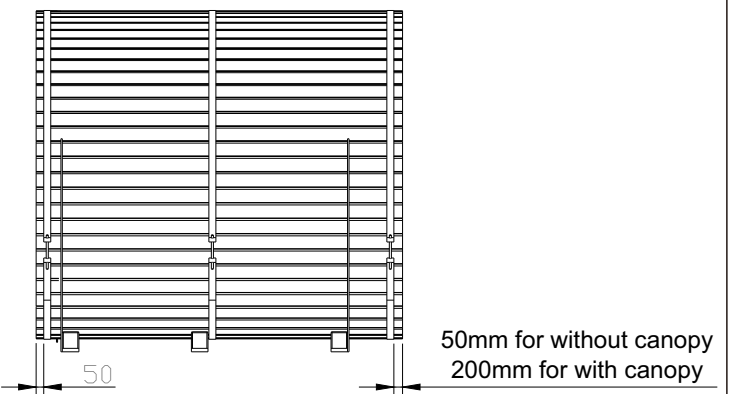
- ⑭ Join them and wrap them around the sauna.



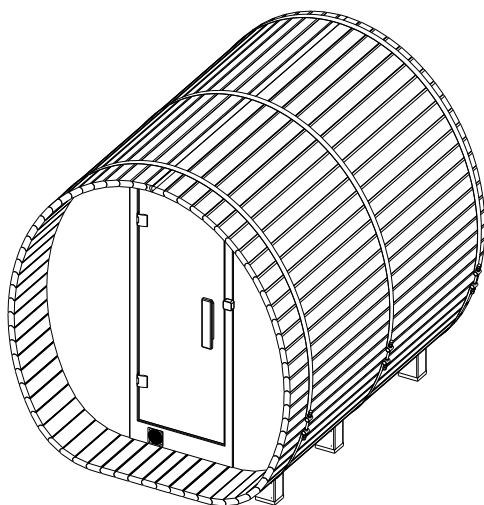
- ⑮ The height of bolts from ground is approx. 670mm on both sides and tighten a little bolts.



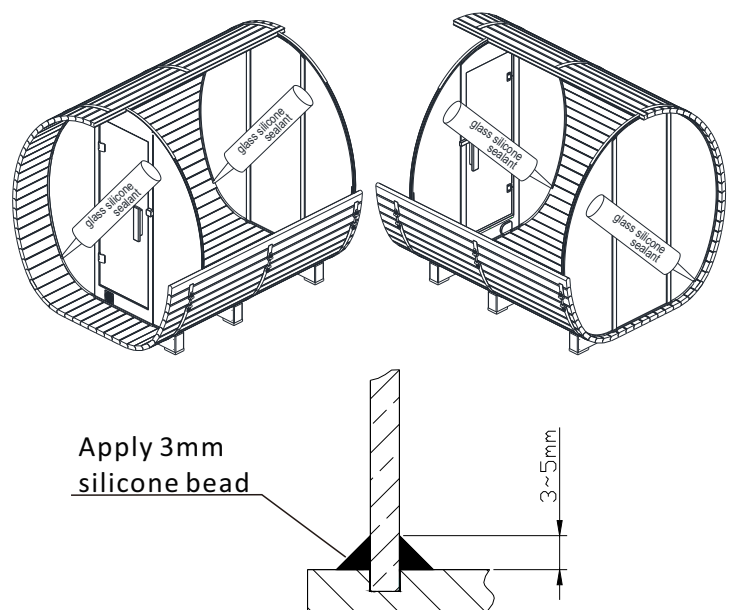
- ⑯ Adjust the position of strap as below size shown, middle strap should be in the centre of the other two.



- ⑰ Tighten all straps and remove the template support boards.



- ⑱ Apply silicone to both sides of the glass at the timber junctions.

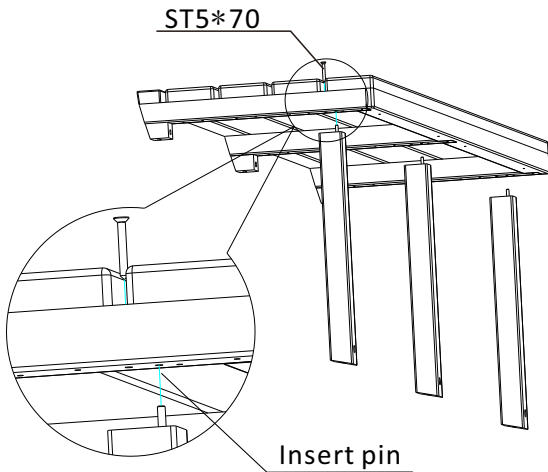


Note: Please keep the four template boards in a safe spot. They are necessary if you ever disassemble / reassemble.

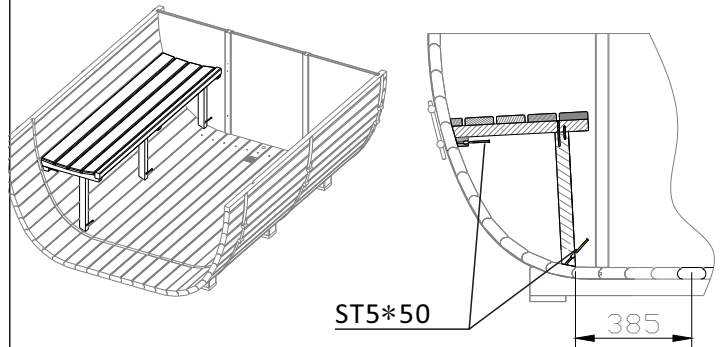
4. Bench Seat assembly

Place bench seat onto the bracket of front and back walls. Use a drill to create a 2.5mm pilot hole and fasten the benches with the screws provided.

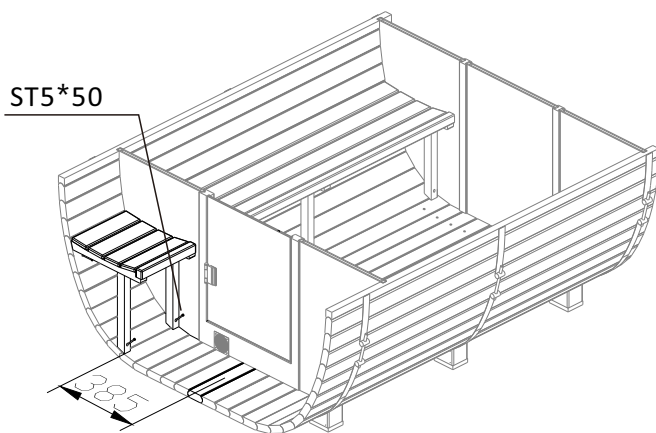
- ① Connect bench seat legs together with the bench seat with the screws



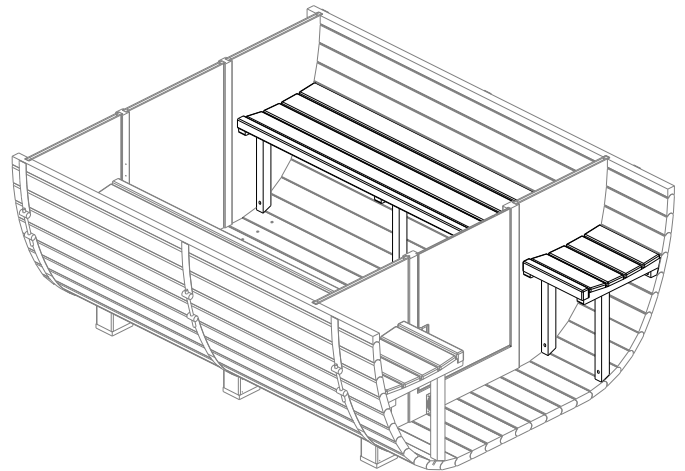
- ② Assemble internal bench seat as below using the screws provided



- ③ Assemble the external benches in a similar sequence to the internal.

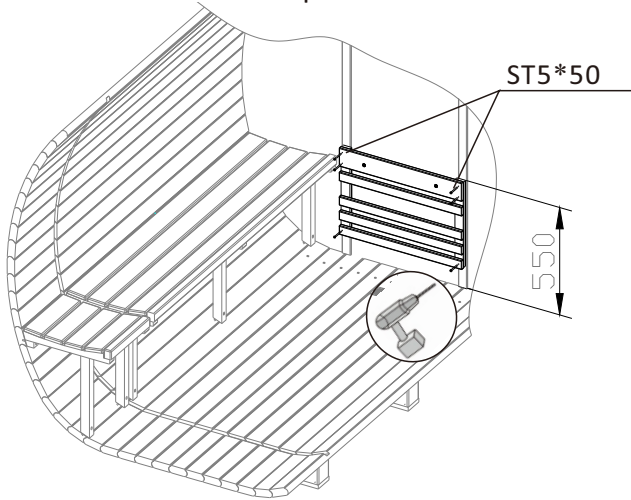


- ④ Assemble the opposite bench in the same way

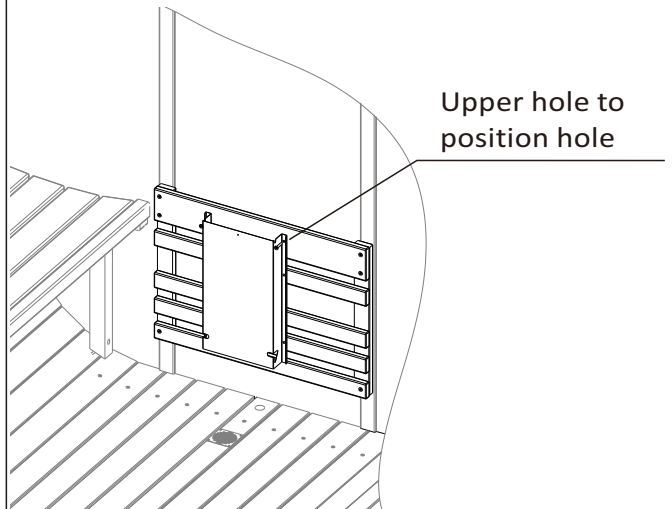


5. Heater & heater barrier assembly

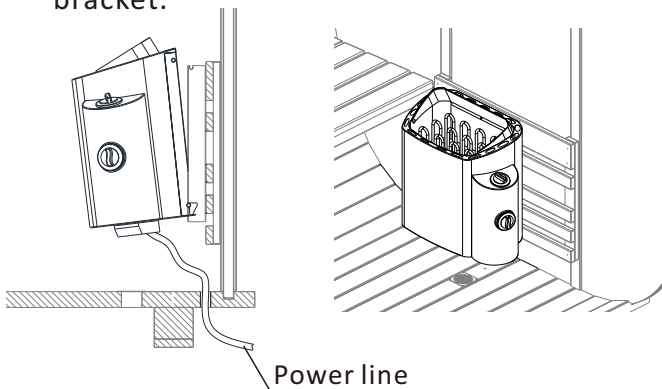
- ① Assemble timber backing board onto the back vertical posts.



- ② Assemble heater support bracket onto the backing board.

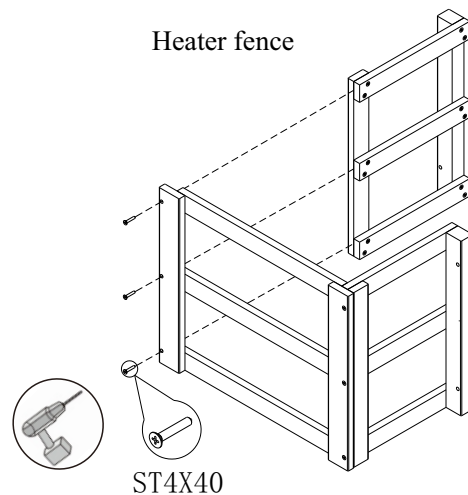


- ③ Pull the electrical cable through the hole in the floor and place the heater onto the bracket.

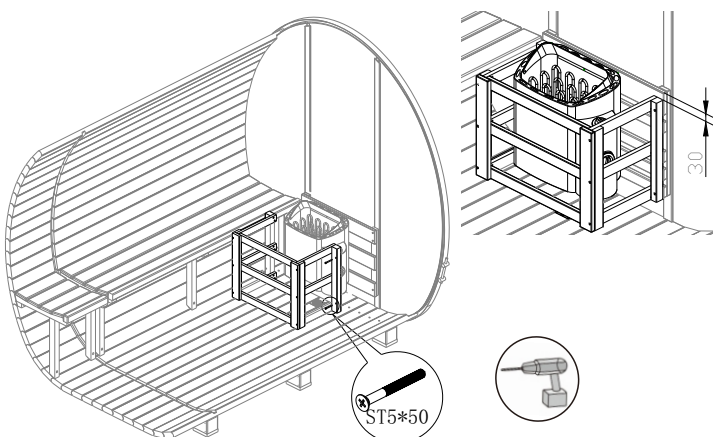


Note: Please refer to sauna heater installation manual for further details.

- ④ Assemble heater fence barrier using the ST4*40 screws

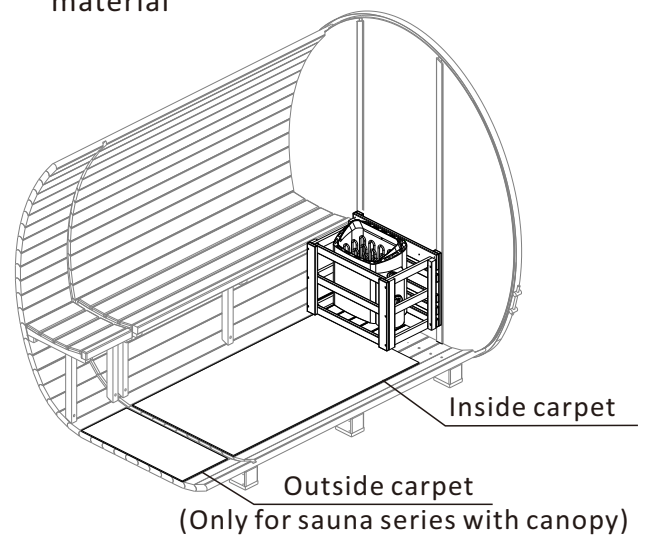


- ⑤ Connect heater fence to back board by ST5*50 screws



! Please refer to heater installation manual for details.

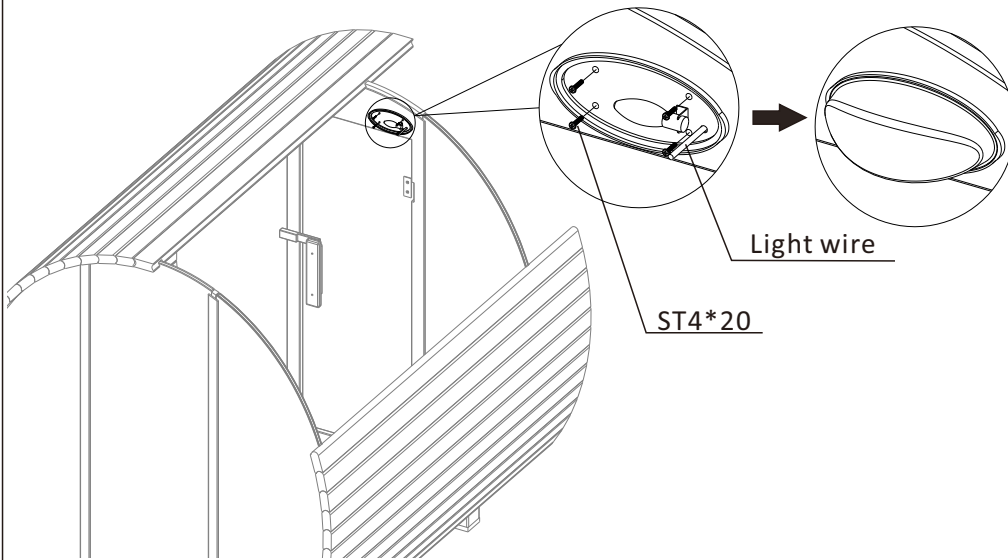
- ⑥ Install the inside and outside flooring material



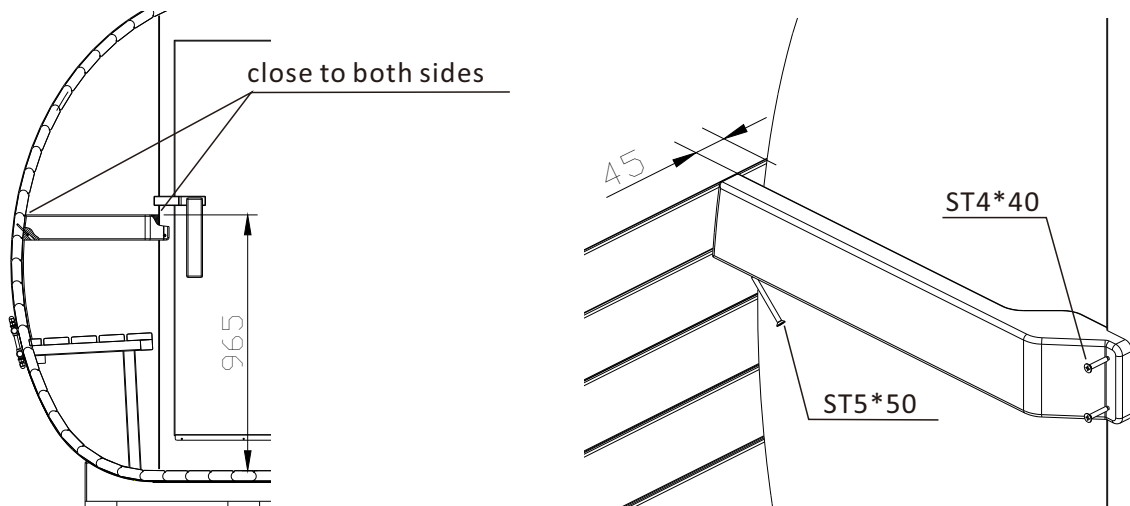
6. Lamp & thermal baffle board assembly

① Sauna Lamp Installation

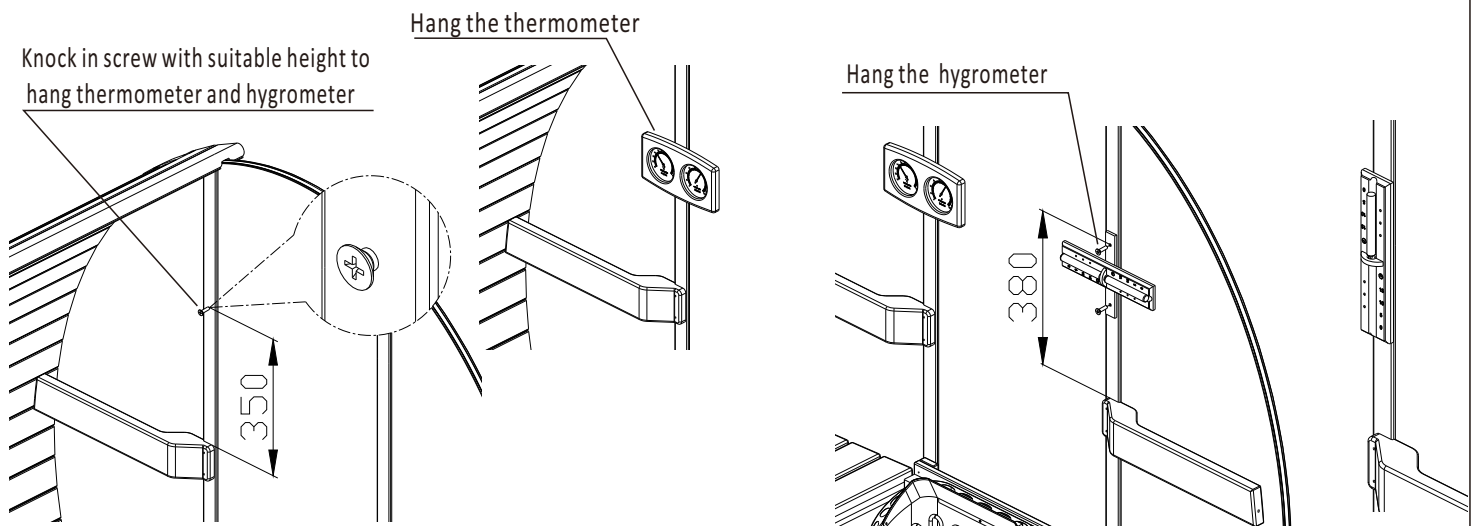
Lamp assembly-The light should be installed by a licensed electrician



② Assemble thermal baffle board onto each side of inner wall (total 4pcs baffle board)



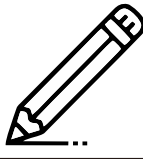



③ Assemble thermometer and hygrometer onto inside of each vertical post

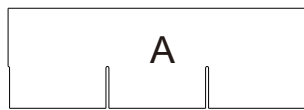


Bitumen roof assembly (Optional)

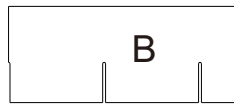
1. Tools you need to prepare

Silicone Sealant Gun	Power Drill	Pencil	Tape Measure
			

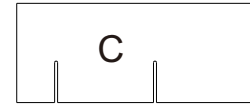
Bitumen roof canopy instructions accessories:



Standard component
1000mm



Standard component 4/5
800mm



Standard component 4/5
800mm



Standard component 7/20
350mm

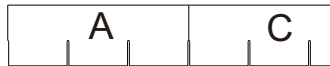


Standard component 17/20
850mm

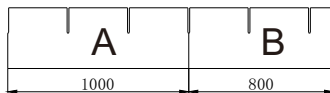


Standard component 1/2
500mm

2#:



1#:



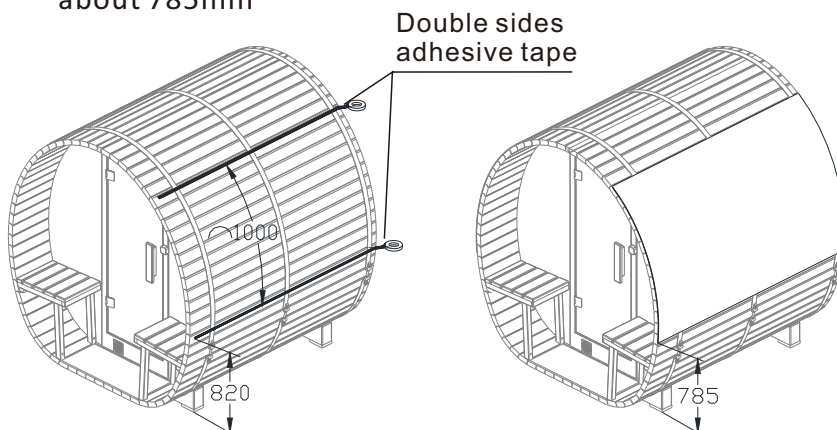
RWH600-66
RWH600-66C



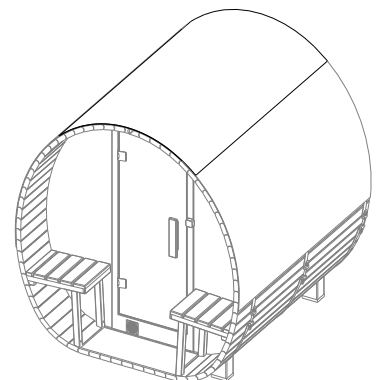
RWH600-68
RWH600-68C

2. Instructions for assembling the bitumen roof

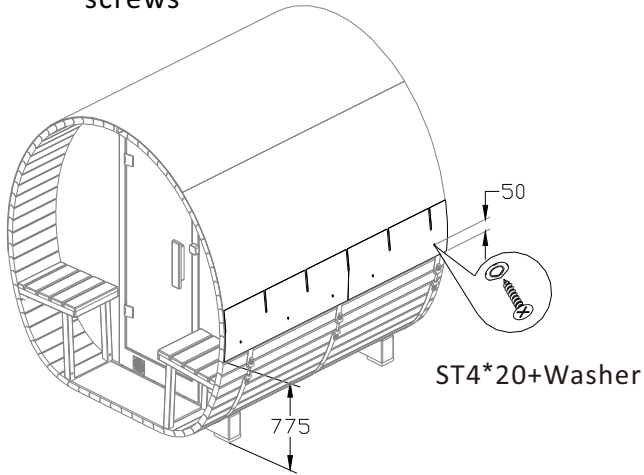
- ① Stick waterproof film with double sides adhesive tape on the surface of sauna. Firstly stick bottom two pieces with ground distance about 785mm



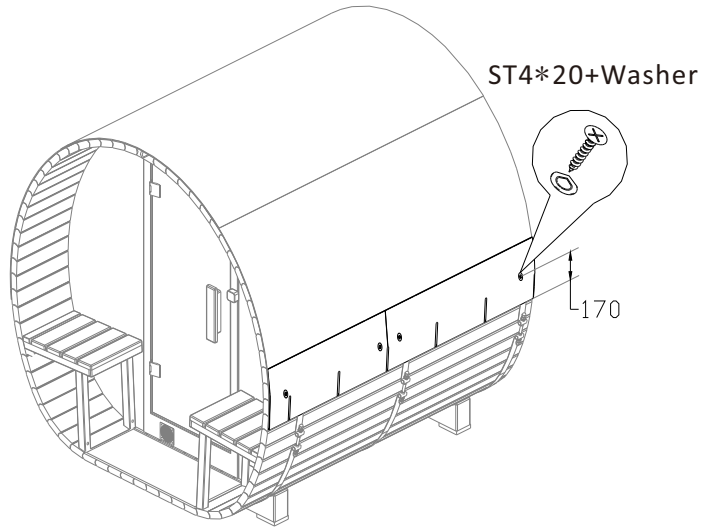
- ② Stick top film onto the top surface of sauna



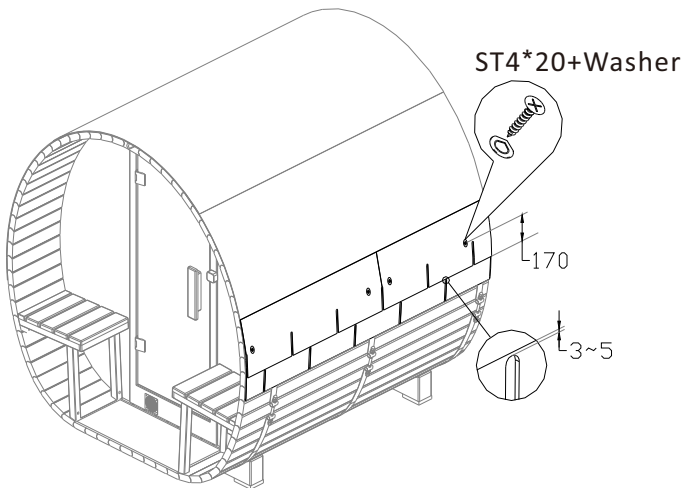
- ③ Install the bitumen roof onto one side of sauna. Install 1# section upside down 775mm from the ground, and secure with screws



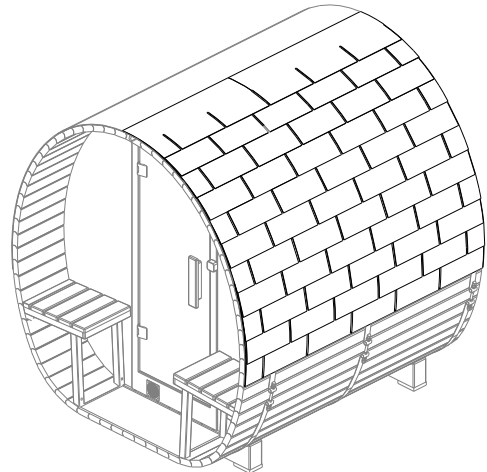
- ④ Install 1# section upright onto the first one 1#, and secure with screws



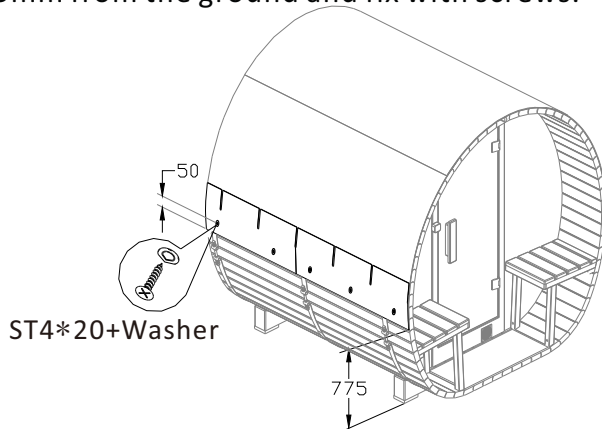
- ⑤ Place 2# upright with it's end distance about 3-5mm from the join of the second one, and secure with screws.



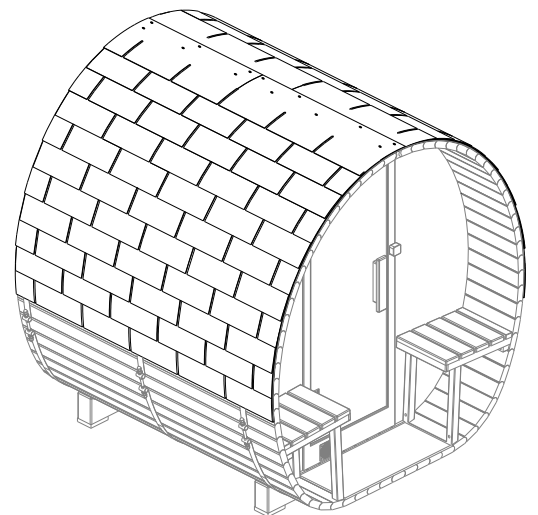
- ⑥ Repeat step 4 & 5, put 1# and 2# over each other, each end distance is about 3-5mm from the previous, then secure with screws



- ⑦ Assemble the roof onto the opposite side of the sauna, first place 2# inverted at the bottom 775mm from the ground and fix with screws.



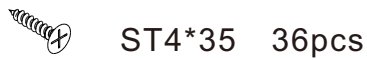
- ⑧ Assemble the remaining sections in reverse to the first side.



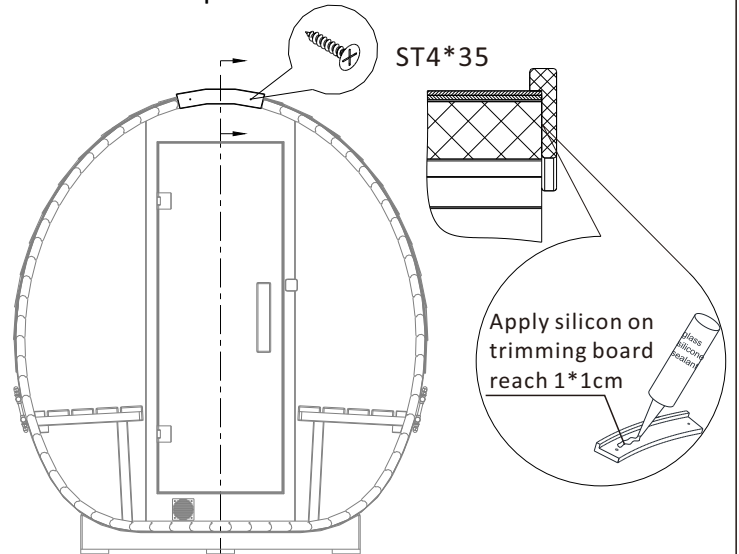
Note: Have to use 2# on this side to avoid unmatched roof.

3. Trimming board assembly

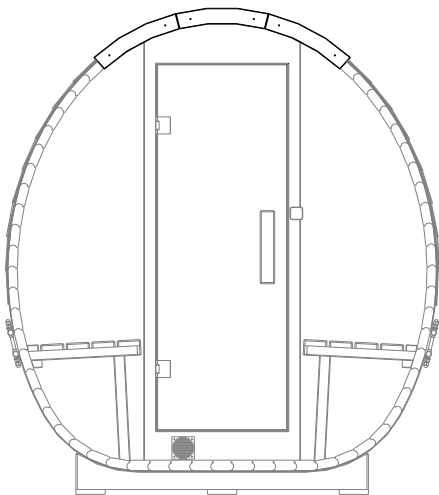
9 Two sizes of trimming boards



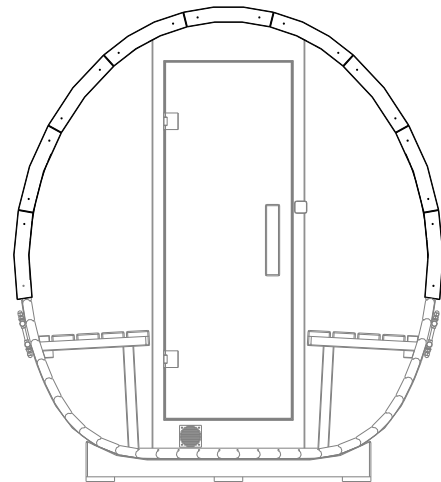
10 Place the first one with 1# mark on the top and fix with screws



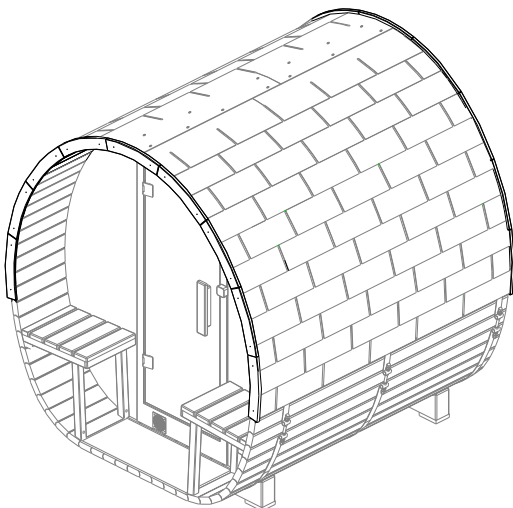
11 Fix another two pieces with 1# mark on both sides



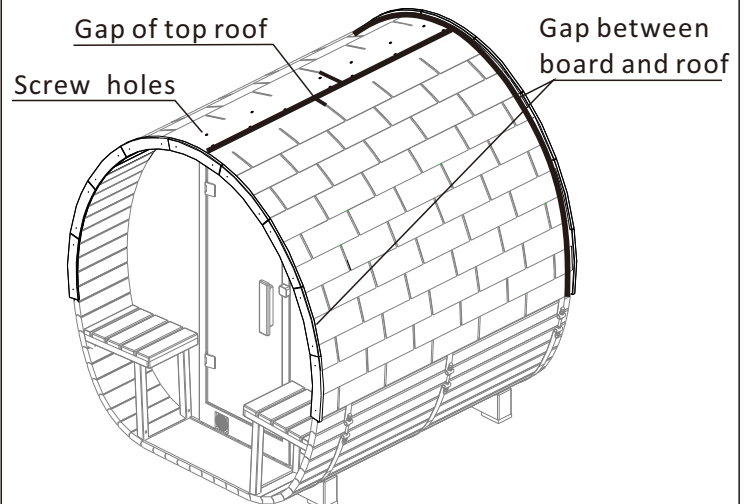
12 Fix the remaining boards w/o 1# marks and secure with screws



13 Assemble boards on the back of sauna in the same way



14 Apply silicone into the gap between trimming boards and the roof, incl the screw holes



Recommendations and suggestions for sauna

- (1) It is recommended to paint (wood wax, tung oil) on external wooden parts of sauna every 6 months to prevent corrosion, crack and tarnish. You can choose the oil painting service provided by our company when purchasing the sauna.
- (2) Suggestions: after assembling sauna, wash interior twice a day for 2-3 days.
- (3) Put a carpet square at the door to keep the floor clean by wiping your feet before entry.
- (4) Brush obstinate stains on the sauna with sandpaper as they appear.
- (5) Replace sauna stones after over 500 hours in normal use.
- (6) Pay attention to electrical heater and ensure it is connected to a separate circuit protected by an RCD / safety switch which must be installed by a licensed electrician.
- (7) Do not touch the glass around the heater as it can be hot to touch.

